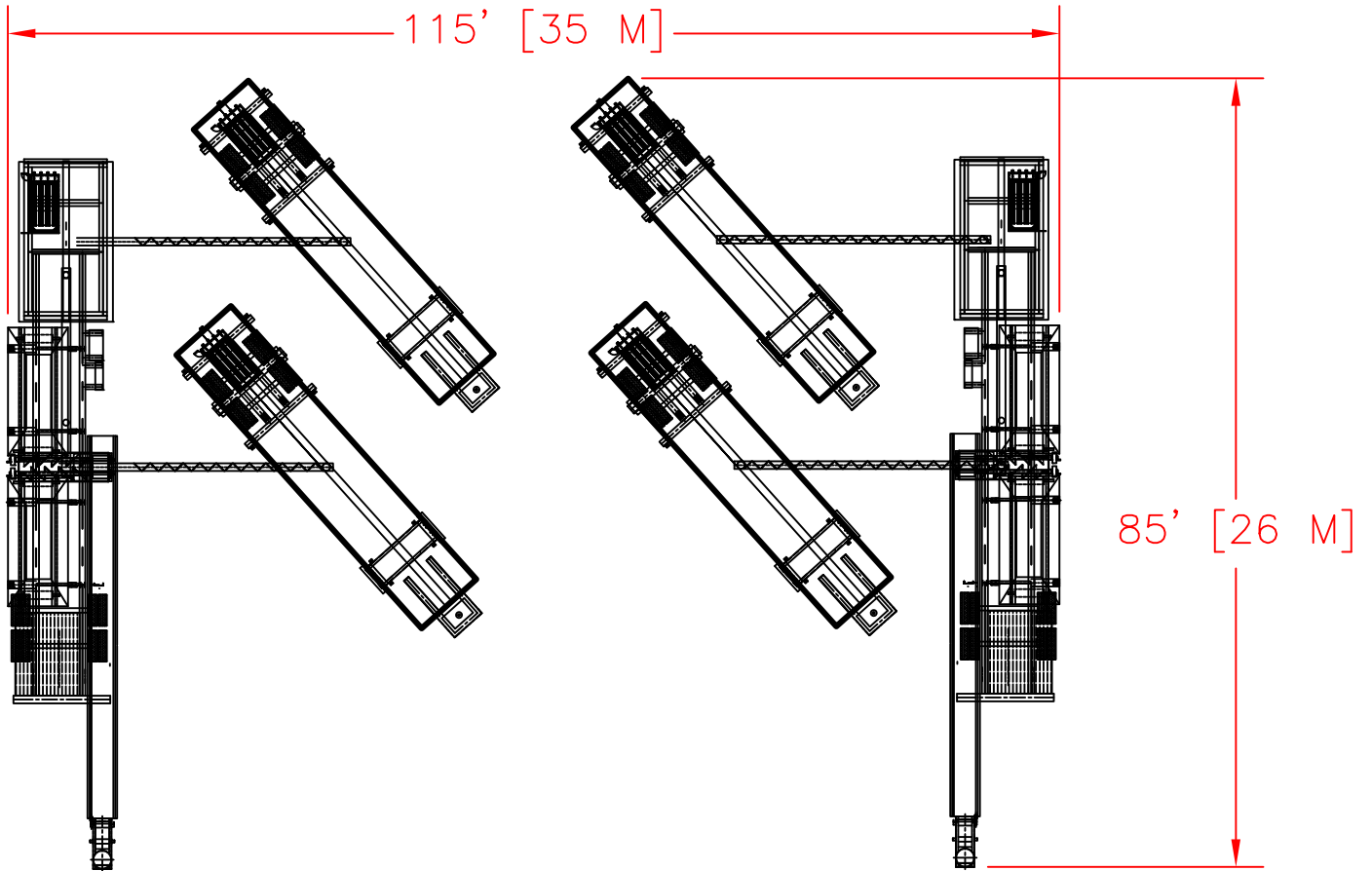


TWIN FULLY PORTABLE LAYOUT OPTION 2



240YD³/HR

210 TONS OF CEMENT STORAGE

150 TONS OF FLY ASH STORAGE

(±1,200YD³ OF CONCRETE)

20' HIGH ON-SITE

14'-6" HIGH IN TRANSIT

FULLY PORTABLE -

NO FOUNDATION OR CRANE NEEDED

TWIN PLANT DESIGN ACHIEVES

REDUNDANCY IN CRITICAL APPLICATIONS

EACH PLANT HAS 2 AGGREGATE BINS