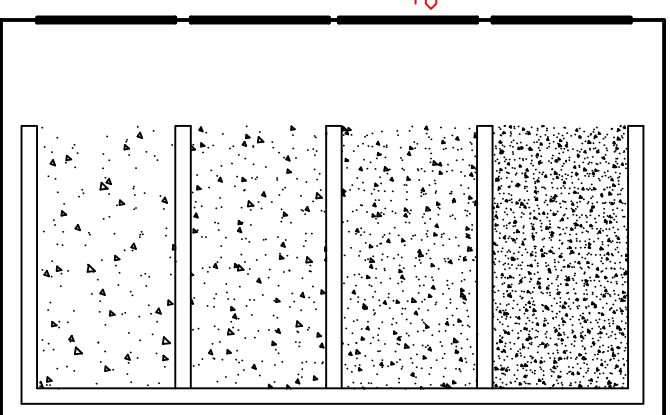


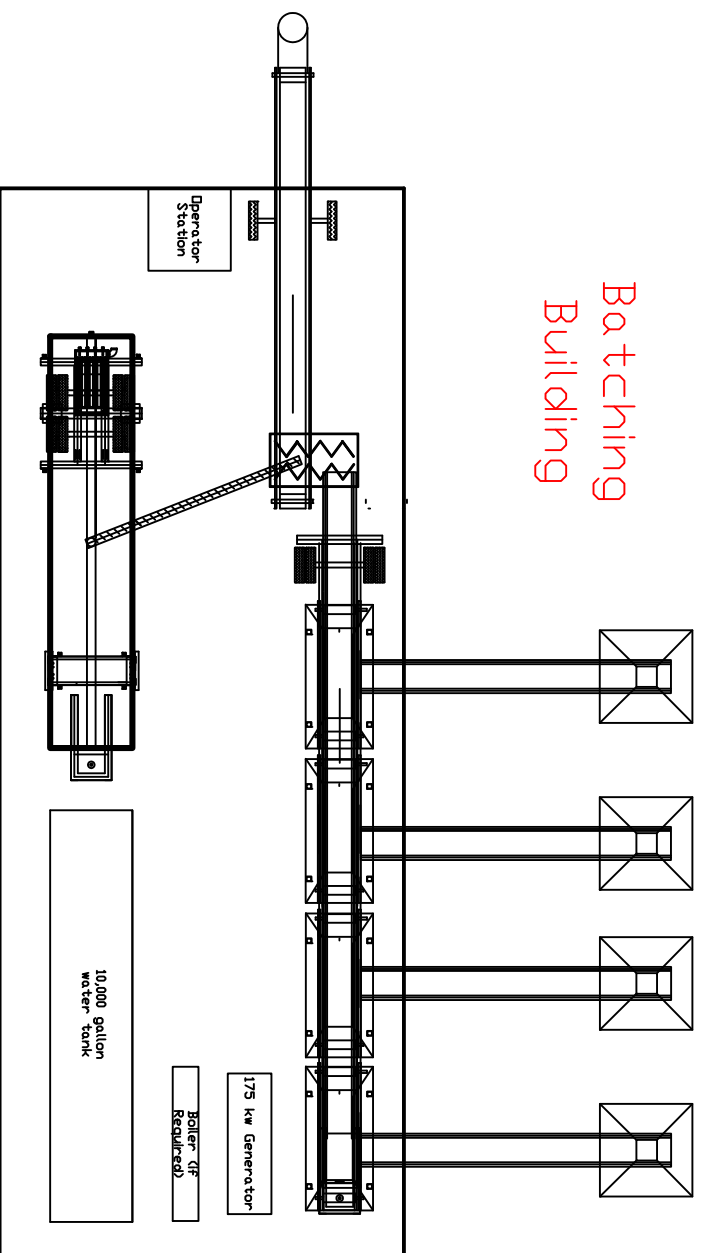
PROPOSAL "A" PLAN VIEW

Extreme Cold Weather Operation
Batching with 4 Aggregates in Mix

Aggregate
Storage
Building

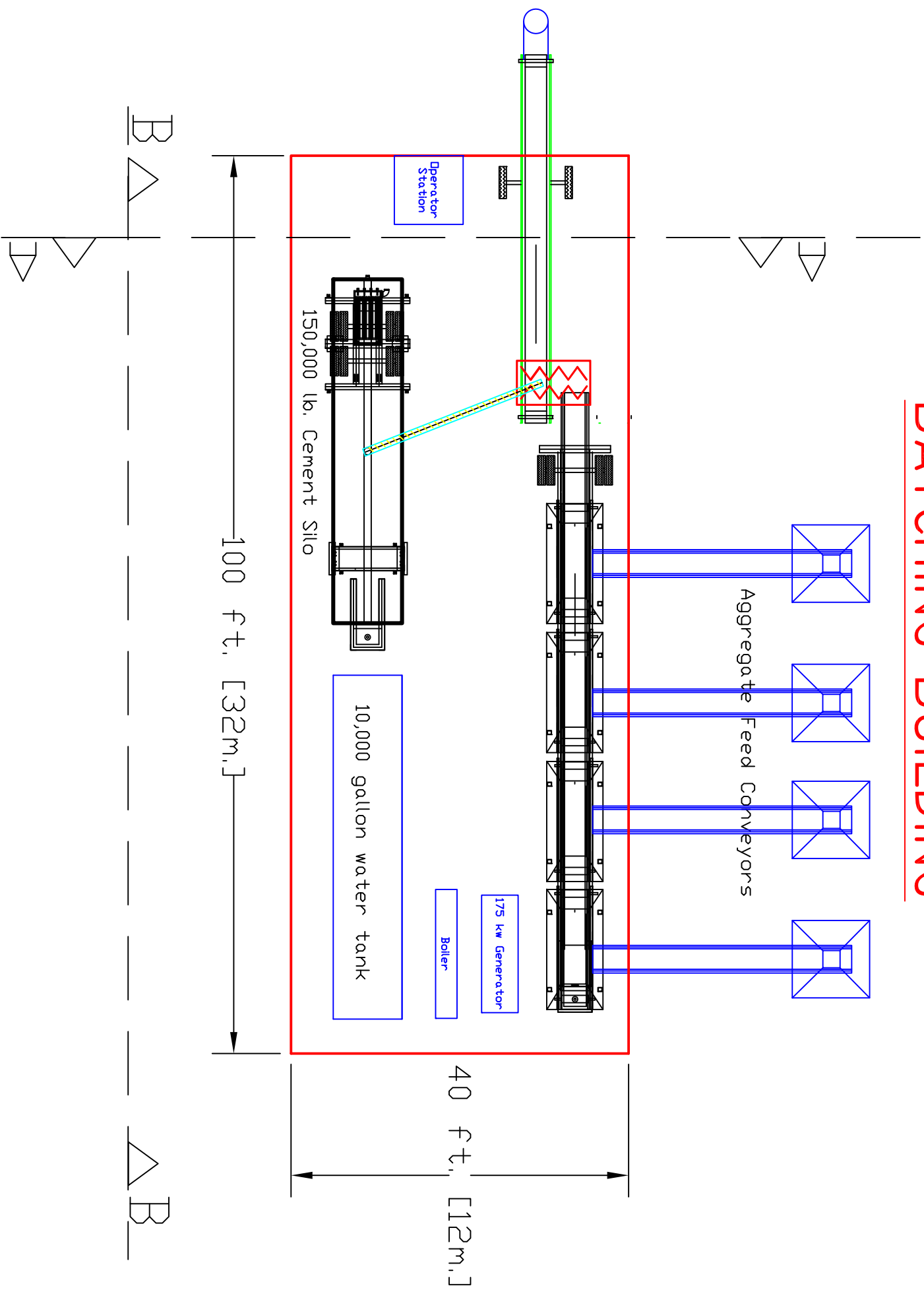


Batching
Building



PROPOSAL "A"

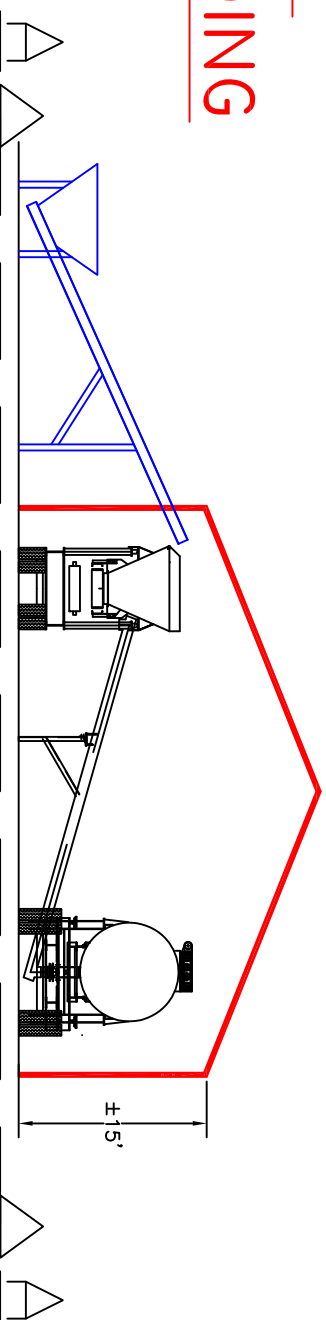
BATCHING BUILDING



PROPOSAL "A" BATCHING BUILDING

VIEWS

END VIEW



SIDE VIEW

